



## 8 WATT COILS 30 mm X Ø 13 mm

**BDA** Molding material: PA - Black polyamide - class F (155°C) - STANDARD

**ADA** Molding material: PA - Black polyamide - class F (155°C) - EARTH TAB ABOVE

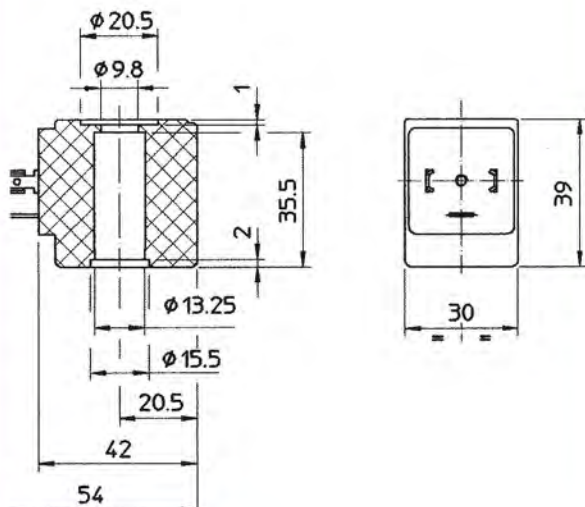
**COIL  
BDA**



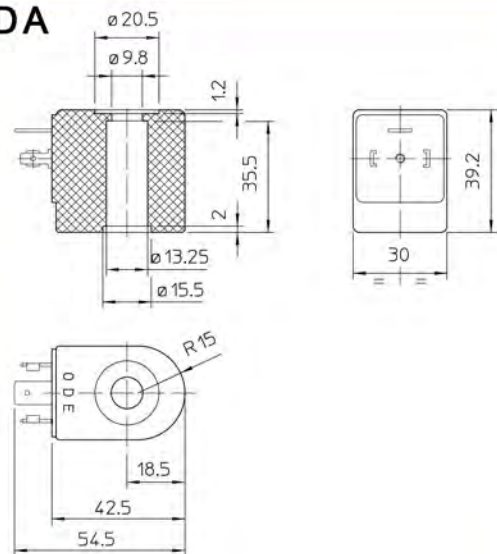
**ADA (230 Volt/50Hz Only)**



**BDA**



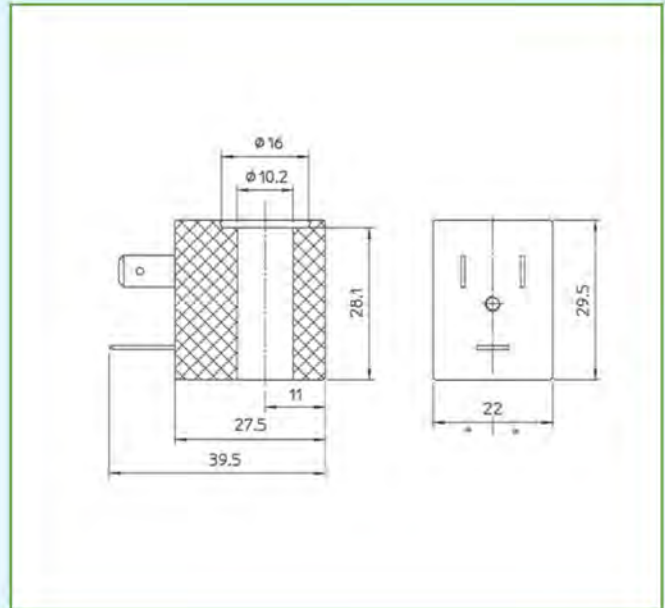
**ADA**





## 5 WATT COILS 22 mm X Ø 10 mm

COIL **LBA** Molding material: PA - Black polyamide - class F (155°C)



CODE	POWER	VOLTAGE	DESCRIPTION	
5W24DC	5 WATT	24 VDC	MINI	LBA
5W230AC	5 WATT	230 V 50 Hz	MINI	LBA
24DC	8 WATT	24 VDC	STANDARD	BDA
24AC	8 WATT/14.5 VA	24 V 50 Hz	STANDARD	BDA
110AC	8 WATT/14.5 VA	110 V 50 Hz	STANDARD	BDA
240AC	8 WATT/14.5 VA	240 V 50 Hz	STANDARD	BDA
230AC ADA	8 WATT/14.5 VA	230 V 50 Hz	EARTH TAB ABOVE	ADA
P990305	SQUARE DIN PLUG FOR 8. 12 AND 14 WATT COILS			
P990307	RECTANGULAR PLUG FOR 5 WATT COILS			

**NOMINAL VOLTAGE TOLERANCES:**  
 DC + 10% - 5%  
 AC + 10% - 15%